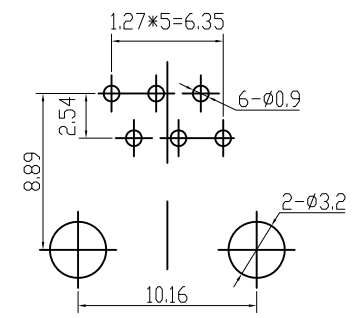
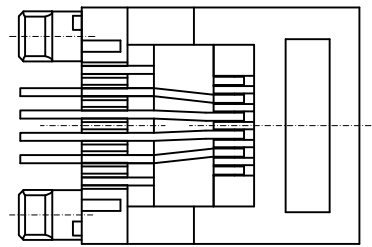
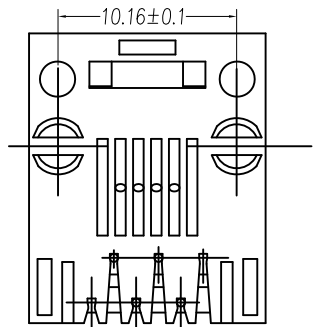
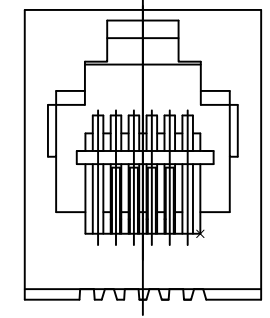
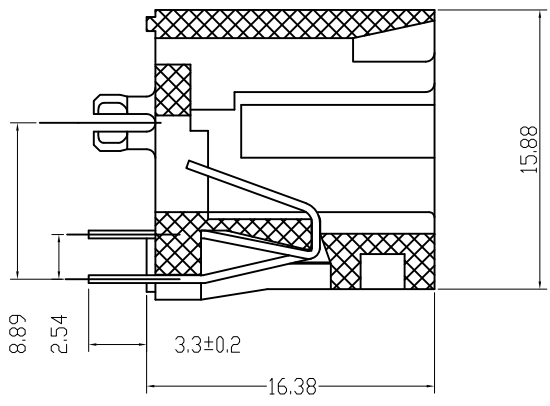
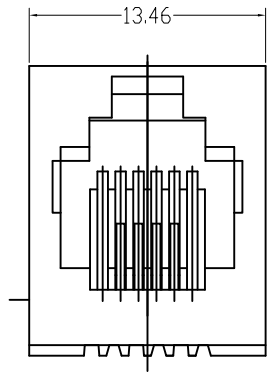


REV.	ECN NO OR DESCRIPTION	REVISED	DATE
AO	INITIAL RELEASE	KEN	21.05.08



RECOMMENDED P.C.B LAYOUT (COMPONENT SIDE)
P.C.B THICKNESS=1.60MM (TOLERANCE=±0.05)

SPECIFICATION NOTES:

ELECTRICAL:

1. VOLTAGE RATING: 125 VAC RMS
2. CURRENT RATING: 1.5 AMP
3. CONTACT RESISTANCE: 20mΩ MAX.
4. INSULATION RESISTANCE: 1000MΩ MIN. AT 500V DC.
5. DIELECTRIC STRENGTH: 1000 V AC OR 1500V DC RMS AT 0.5mA 50 Hz / 60 Hz FOR 1 MINUTE

MECHANICAL:

1. HOUSING&INSERT&MATERIAL:SEE TABLE
2. CONTACT MATERIAL:PHOSPHOR BRONZE
3. PLATING:GOLD PLATING AT CONTACT AREA, MATTE TIN AT TAIL 100U MIN., NICKEL 30U MIN.OVER ALL.
4. OPERATING LIFE:750 CYCLES MIN.
5. MATING/UNMATING FORCE: 30N/3.06KgF MAX.
6. RETENTION STRENGTH:50N MIN.FOR 60S±5S

ENVIRONMENTAL:

1. STORAGE:-40°C TO +85°C RELATIVE HUMIDITY<80%
2. GUARANTEE PERIOD:12 MONTHS
3. OPERATION: -40°C TO +85°C
4. WAVE SOLDERING TEMPERATURE: 260±5°C 5~10 SECONDS. MATES WITH MODULAR PLUG CONFORMING TO FCC PART 68, SUBPART F.

UNLESS OTHERWISE SPECIFIED TOLERANCES		Coorle Technology	
DECIMALS:	ANGLES:	TITLE	Modular Jack 5222 6P NO EAR
X :±0.50	X :±3°	DWN	Michael 21.05.08 PART-NO:
X.X :±0.38	X.X :±1°	CHKD	UNIT: mm
X.XX :±0.25		APVD	SHEET:1 OF 1
		SCALE:1/1	
ENGINEERING COPY			